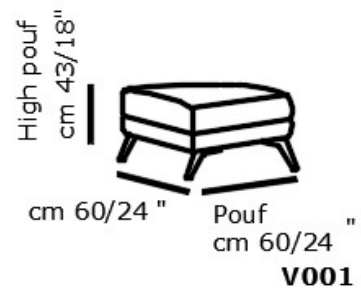
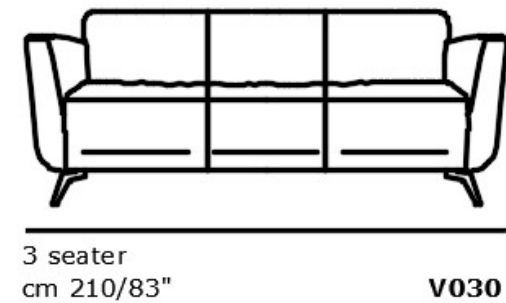
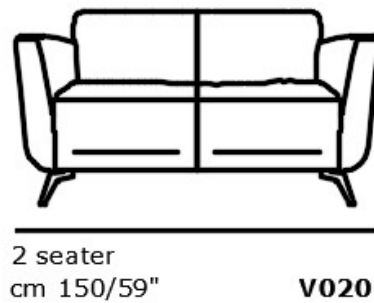
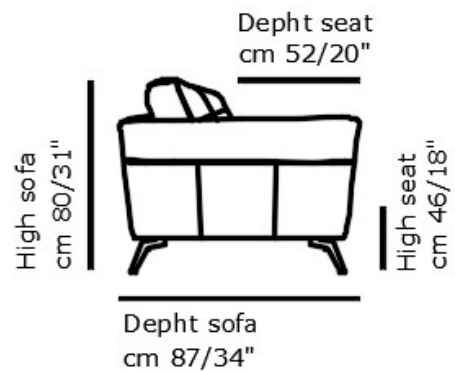


Technical Sheet for Retailers

9 DIGIÒ
LEATHERCOLLECTION

MODEL ASTON





INTERIORS

	Seat	Arms	Back
FOAM	✓	✓	
FIBERFILL			✓
PLUME D'OIE			

FRAME

% Particle Board: 30%	% Multilayer: 15%	% Fir: 35%	% Masonite: 20%
------------------------------	--------------------------	-------------------	------------------------

SUSPENSION SYSTEM

	Webbings	Springs	Notes
Seat	✓		
Back	✓		

OTHER ELEMENTS

Element	Fixed	Removable	Removable system	Notes
Seating cushions:	✓			
Back cushions:		✓	ZIP	
Arms:	✓			

FEET

Metal	Wooden	PVC
✓		